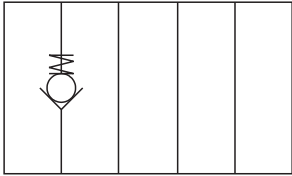


KRACHT



Modular check valve
MVJ2-10

Modular check valve MVJ2-10

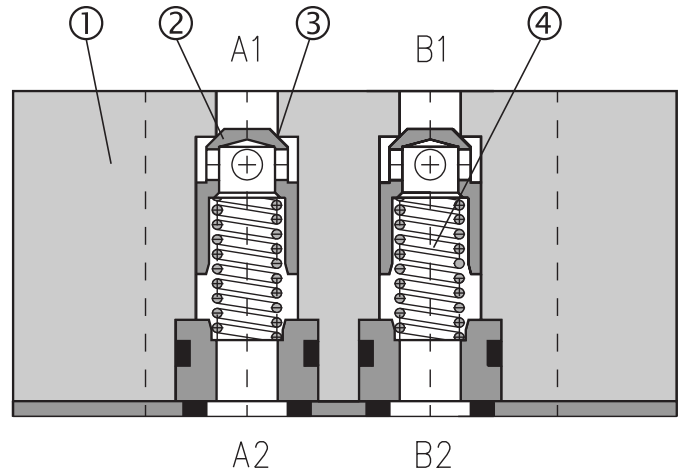


- Sandwich plate design for use in vertical stacking assemblies
- Leakfree closure in one or two service ports
- 8 different models
- Installation dimensions to ISO 4401-05-04-0-94 and DIN 24 340 - A 10

Functional Description

The check valve modules are used to allow flow in one direction and prevent flow in the other one. The modular design enables vertical stacking with other components of the same size. The check elements can be build into one or two ports, the other ports being throughholes. This does not apply to models P and PT that have the port T closed.

The seat (3) is machined directly in the housing (1) and the poppet (2) is pushed onto the seat by compression spring (4). The cracking pressure depends on the spring used, on its preloading and on the pressurized poppet surface area. The surface of the valve housing is phosphate coated.



Ordering Code

EXAMPLE **MVJ2-10** . . . -1

Modular check valve for stacking assemblies

Normal size **10** 10 mm

Crackin pressure **005** 0,5 bar

Symbols

<p>T</p>	<p>P</p>	<p>A</p>	<p>C</p>
<p>B</p>	<p>D</p>	<p>AB</p>	<p>PT</p>

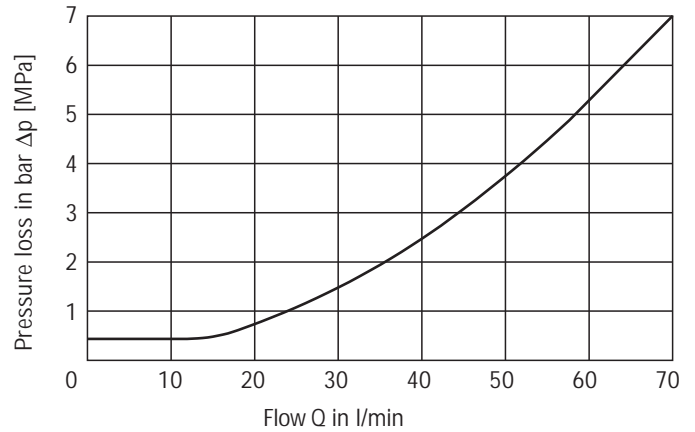
Note: Port T is closed with models T and PT. The orientation of the symbol on the name plate corresponds with the valve function.

① valve-side ② subplate-side

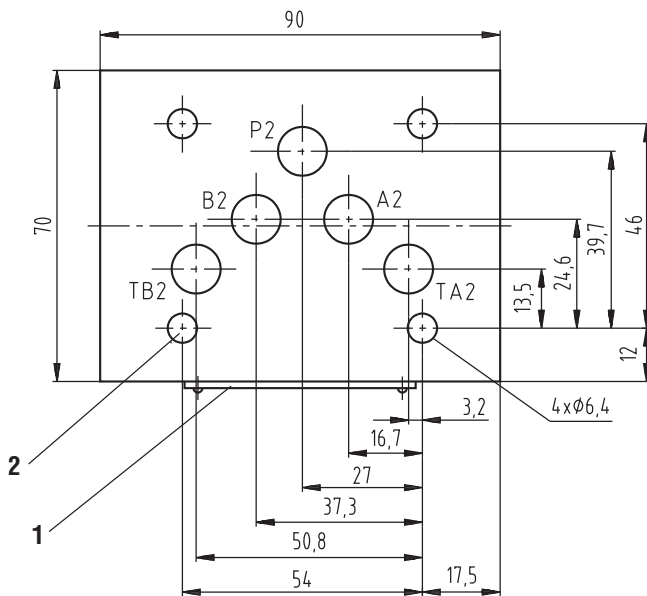
Technical Data

Norminal size:	10 mm
Maximum flow rate:	60 l/min / 15.9 US gpm
Max. operating pressure:	320 bar / 4641 psi
Cracking pressure:	0,5 bar / 7.25 psi
Hydraulic fluid:	Hydraulic oils of power classes HM, HV to CETOP RP 91 in viscosity classes ISO VG 32, 46 and 68
Fluid temperature range:	-30... +80 ° C / -22... +176° F
Viscosity range:	10... 400 mm ² /s
Maximum degree of fluid contamination:	Class 18/15 according to ISO 4406. Therefore we recommend a filter with tetention $\beta_{10} \geq 75$.
Wight:	2,3 kg / 5.07 lb
Mounting position:	optional

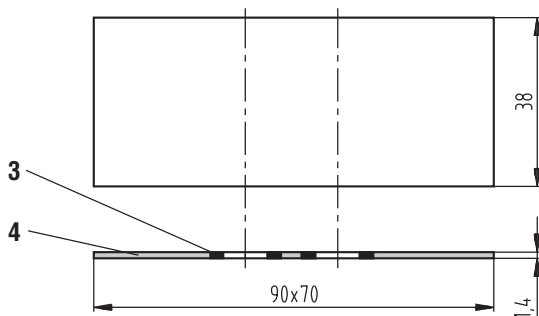
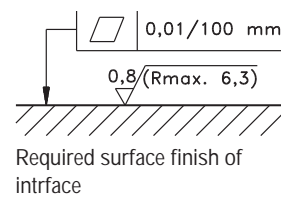
Characteristic Measured at n = 35 mm²/s und t = 40 °C



Valve Dimensions in mm



- 1 Name plate
- 2 4 mounting through-holes
- 3 Square ring (5 pcs) supplied in each packet
Standard (NBR) Square Ring 12,42 x 1,68
Viton (FPM) Square Ring 12,42 x 1,78
- 4 Square-ring plate supplied in each packet



Overview of
our complete
programm

Transfer pumps

Transfer pumps for lubricating oil supply equipment, low pressure filling and feed systems, dosing and mixing systems, including PUR

Volutronic®

Gear flow meters and electronics for volume and flow metering technology in hydraulics, processing and laquering technology

Mobile hydraulics

Single and multistage high pressure gear pumps, Hydraulik motors and valves for construction machinery, vehicle-mounted machines

Industrial hydraulics

Cetop directional control and proportional valves, hydraulic zylinders, pressure, quantity and stop valves for pipe and slab construction, hydraulic accessories for

With our decades of experience, we are at your side, world-wide, for the professional mastery of specific applications and complete solutions in hydraulic and process technology



MNJ2-10.uk.01.01